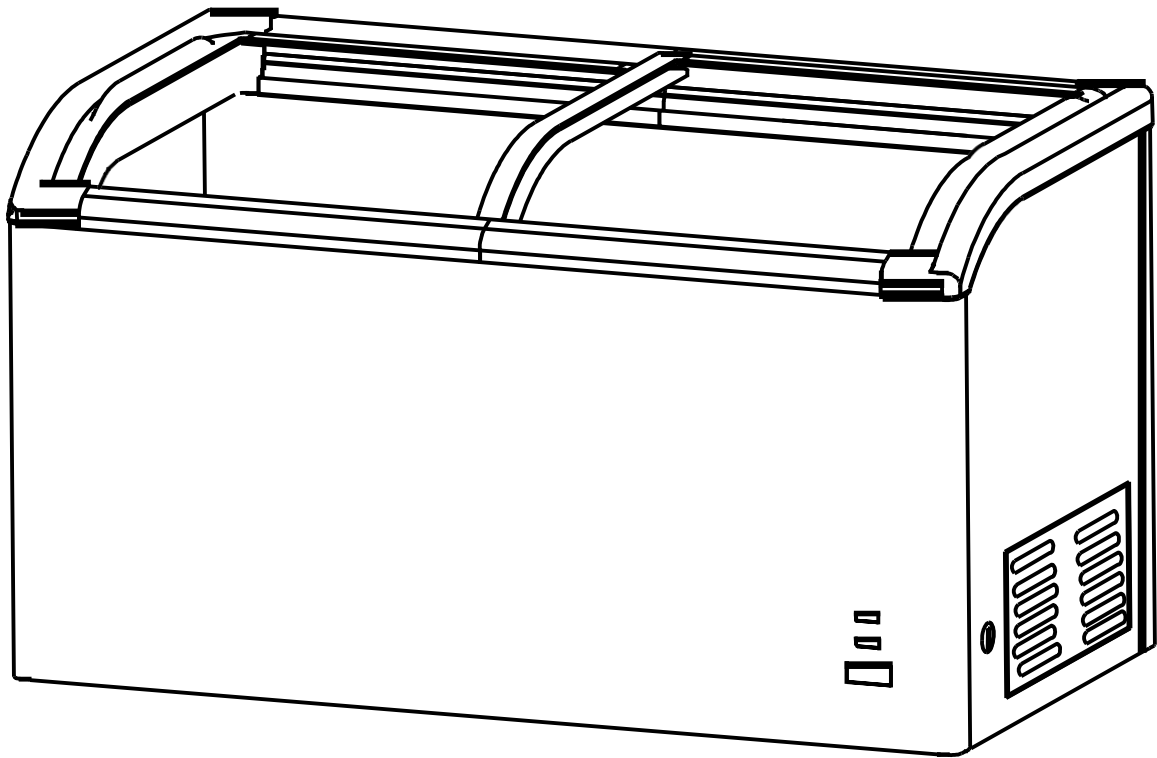




GLASS LID CHEST FREEZER



Installation, Operation & Maintenance Manual
(HC Gas R290 used)

Thank you for buying this high quality appliance

This handbook is designed to help you through each step of owning your new appliance, from installation to use.

Please read through this handbook carefully before you start using your appliance, as we have endeavoured to answer as many questions as possible, and provide you with as much support as possible.

If, however, you find something missing or not covered, please contact our Customer Care Centre, using the number at the back of this handbook, who will be only too happy to help you.

Our policy is one of constant development and improvement, therefore we cannot guarantee the strict accuracy of all our illustrations and specifications, changes may have been made subsequent to publishing.

WARNING: When positioning the appliance ensure the supply cord is not trapped or damaged.

WARNING: Do not locate extension sockets or charging transformers/power supplies adjacent to the compressor as they could overheat.

Index

| | |
|---|----------|
| BEFORE USING YOUR APPLIANCE | 2 |
| Safety Instructions | 2 |
| Warnings | 2 |
| Installation | 3 |
| | |
| OPERATING YOUR APPLIANCE | 4 |
| Parts of the Appliance | 4 |
| Temperature Adjustment/Operation | 5 |
| Food Storage in the Appliance | 5 |
| | |
| DEFROSTING AND CLEANING..... | 6 |
| Defrosting and Cleaning..... | 6 |
| | |
| TROUBLE SHOOTING AND TECHNICAL DATA..... | 6 |
| Trouble Shooting | 6 |
| Trouble Shooting guide..... | 7 |

Before Using Your Appliance

Safety Instructions

- After installation make sure that the power cable is not trapped underneath appliance.
Please read this booklet thoroughly before installing and switching on the appliance. The manufacturer accepts no responsibility for incorrect installation and use.
- If this appliance is to replace an old one equipped with a lock, break or remove the lock as a safety measure to avoid children becoming trapped inside.
- Do not damage the refrigerant circuit. In the event that the refrigerant circuit is damaged, avoid open flames or ignition sources and ventilate the room in which the unit is placed – do not use the appliance until you have been advised to do so by a service engineer.
- Do not allow children to play with the appliance. Children must never sit in the drawers or hang from the door.
- Do not plug this appliance into an extension lead.
- Do not use old or damaged power supply cables.
- Do not twist, bend or trap the cable. Cables should also be kept clear of heat sources.
- When plugging in the appliance, always make sure that your hands are dry.
- Your old appliances contain insulation gases and refrigerant that must be disposed of properly. Please contact your local authority for information about recycling centre's
Do not dispose of this appliance with household waste.

Warnings

- **WARNING:** This appliance is not intended for use by persons (including children) with reduced physical, sensory or mental capabilities, or lack of experience and knowledge, unless they have been given supervision or instruction concerning use of the appliance by a person responsible for their safety. Children should be supervised to ensure that they do not play with the appliance.
- Do not defrost the appliance with other electrical devices (i.e. hair dryer) or any artificial means and do not use sharp metal objects to remove the ice on the freezer, as this could cause damage to the refrigerant system.
- Do not operate any electrical appliances inside the refrigerator or freezer.
- **WARNING:** Do not place bottles (glass or plastic) containing liquids (especially effervescent liquids) into the freezer as they could cause the bottle to burst during freezing.
- **WARNING:** Do not store explosive substances such as aerosol cans with a flammable propellant in this appliance.
- **WARNING:** Do not damage the refrigerant circuit.
- **WARNING:** Keep ventilation openings, in the appliance enclosure or in the built-in structure, clear of obstruction.
- Do not touch the cooling surfaces while the appliance operates, especially with wet hands, because the skin may stick to cold surfaces.
- Do not eat ice which has just been removed from the freezer as this can cause freezer burns to the hands and tongue.

Installation

- Install and level the appliance on a floor able to take its weight and in a place suitable for its size and use
- Before switching on place the appliance in an upright position and wait at least three hours without moving the appliance. This will give the refrigerant circuit time to settle and operate efficiently.
- Insert the plug into a socket which is appropriate. This appliance has a plug already fitted – if the plug is not suitable for your socket we suggest that you call an authorized electrician for assistance. If the plug is damaged in any way – do not attempt to use it. It must be replaced with a new plug
- Do not install the appliance in direct sunlight and close to heat sources. Do not allow the appliance to be exposed to rain
- Choose a well-ventilated area. There should be at least 10 cm of open space along the sides, top, and back of the freezer
- Install the appliance in a dry and well-ventilated place. The appliance is for use in places within the temperature and humidity ranges defined according to the climatic class given on the Data Label located on the back of the product. The appliance may not operate consistently if it is situated for extended periods of time below the cold end of the climate class temperature range for which the appliance is designed.
- If the appliance is installed next to another refrigerator or freezer, observe the minimum distance of 10cm to avoid condensation
- **The manufacturer is not responsible for failure to complete installation as described in this guide.**

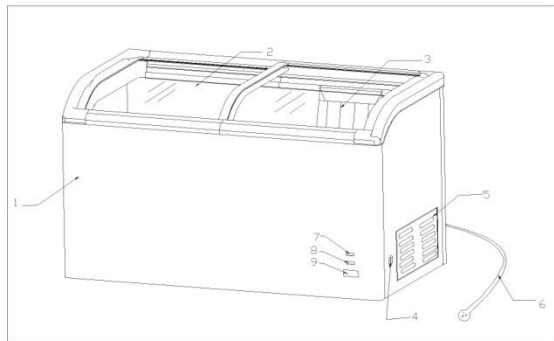
Operating voltage for your fridge is 220V-240V at 50HZ

Conformity Information

- The appliance is designed in compliance with the Directive 2011/65/EU, IEC60335-2-24, IEC60335-1. Directive 2004/108/EC, EN55014-1:2006/+A1:2009, EN55014-2:1997/+A1:2001/+A2:2008, EN61000-3-2:2006/+A1:2009/+A2:2009 and EN61000-3-3:2008.

OPERATING YOUR APPLIANCE

Parts of the Appliance



1. Cabinet
2. Glass door
3. Basket
4. Thermostat knob
5. Compressor room cover
6. Power wire
7. Yellow switch
8. Green light
9. Mechanical temperature display

NOTE:

■ Turning the temperature control to "0" position stops the cooling cycle but does not shut off the power to the refrigerator.

■ If the unit is unplugged, lost power, or turned off; you must wait 3 to 5 minutes before restarting the unit. If you attempt to restart before this time delay, the refrigerator will not start.


■ Large amounts of food will lower the cooling efficiency of the appliance.

■ If you choose to change the thermostat setting, adjust thermostat control by one numerical increment at a time. Allow several hours for temperature to stabilize between adjustments.

Temperature Adjustment/Operation

- The appliance temperature can be adjusted by turning the thermostat on the Control Panel.
- The thermostat should be adjusted according to different environment temperature and the quantity of food being stored by adjusting the knob of the thermostat. The knob rotates clockwise from "1" to "7". The setting should be reduced down in summer (anti-clockwise rotation) and up in winter (clockwise rotation). The thermostat is set to a certain point before leaving the factory, this is the optimum setting for the product.
- Products should be pre-frozen before storing in this cabinet.
- The red lamp is a power indicating lamp. When the power is on, the lamp will be on.
- Once power is cut off, wait for at least 5 minutes before plugging in again to avoid damaging the compressor or the system.

Food Storage in the Appliance

This freezer is a 3 star rated () appliance.

- The use of a freezer is for storing frozen food for long periods of time and making ice cubes.
- Do not put fresh or warm food with frozen food side by side as it can thaw the frozen food.
- **For storing frozen food;** the instructions shown on frozen food packages should always be followed carefully, if no information is provided food should not be stored for more than 3 months from the purchased date.
- **When buying frozen food;** ensure that these have been frozen at suitable temperatures and that the packing is intact.
- Frozen food should be transported in appropriate containers to maintain the quality of the food and should be placed into the freezer as soon as possible.
- If a package of frozen food shows signs of humidity and abnormal swelling it is probable that it has been previously stored at an unsuitable temperature and that the contents have deteriorated. Do not use this food, dispose of it as soon as possible.
- The storage life of frozen food depends on the room temperature, thermostat setting, how often the door is opened, the type of food and the length of time required to transport the product from the shop to your home. Always follow the instructions printed on the package and never exceed the maximum storage life indicated.

Defrosting and Cleaning

- Defrost twice a year or when a frost layer of around 7 mm (1/4") has formed. To start defrosting procedure switch off the freezer at the socket outlet and pull out the mains plug.
- All food should be moved to alternative storage facilities while defrosting is taking place.
- Containers full of warm water may be placed carefully in the freezer to speed up the defrosting.
- Do not use pointed or sharp edged objects such as knives, forks to remove the frost.
- Never use hairdryers, electrical heaters and other similar electrical appliances for defrosting.
- When defrosting has finished, sponge out any defrost water which collects at the bottom of the freezer and dry the interior thoroughly.
- You can wipe the inner and outer sides with a soft cloth or a sponge using warm and soapy water.
- Do not wash your freezer by pouring water into it.
- Never use flammable, explosive or corrosive material like thinner, gas, acid for cleaning.
- Make sure that your freezer remains unplugged while cleaning.
- Once defrosting/cleaning has been completed, plug in the appliance and return to its temperature setting.

Trouble Shooting

The following problems are not causes of breakdown:

| Problems | Causes and resolutions |
|---|--|
| There is a sound of liquid flowing in the freezer | It is the sound of refrigerant flowing in the circulating pipeline of the refrigerating system, this is normal |
| Too noisy | The freezer is not installed in a level ground, change the position |
| The refrigeration system does not work for a long time but the inside temperature is very low | It is an indicator of good insulation and low cooling retention, this is normal. |
| Condensation forming on the glass and surrounding areas | High humidity around the unit. Reposition the unit into the correct operating environment. Improve ventilation in the room / install a dehumidifier. |

Trouble Shooting Guide

| Trouble | Possibilities | | Check up | Solutions | Remarks |
|---|---|--|--|--|--|
| Compressor does not work | Power is off | The fuse is broken | Check the fuse | Replace the fuse | If it is necessary please contact after-sales service for repair |
| | | The connection between plug and socket is not good | Check the socket | Repair or replace the socket | |
| | | The circuit of input and output is out of use | Make sure that the power is on | Check the circuit with electric instrument | |
| | The thermostat knob is not in the proper position | | Check the thermostat | Rotate the thermostat to the proper position | Ask for professional help |
| Compressor keeps on working | The temperature inside is too high | Frost on the evaporator is too thick | Check whether the frost is thicker than 6-8mm | Defrost regularly | |
| | | The door is being opened too frequently | | Reduce the times of opening | |
| | | Too much food has been stored at once | | Take out some of the food | |
| | The temperature inside is OK | The ambient temperature is too high .while the thermostat indicates a small number | Make sure whether the knob is indicating at the "5-6"(or deeper) | Adjust the thermostat knob | The thermostat knob on"2-4"is better(or proper) |
| | | The thermostat does not work | | Replace the thermostat | Ask for after-sales service |
| | Too noisy | The floor is not level | | Make sure that the freezer is level | Put pad under the castors |
| The screw in fan or condenser is loose | | The screw is loose | Rotate the fixed screw | | |
| The refrigerating circuits touch each other | | | Separate them | | |

R290 refrigerant is used for this equipment.



Caution!

Consult repair manual/owner's guide before attempting to install or service this product. All safety precautions must be followed. Dispose of properly in accordance with federal or local regulations. Risk of fire or explosion due to puncture of refrigerant tubing. Follow handling instructions carefully.

Danger!

Risk of fire or explosion. Flammable refrigerant used. To be repaired only by trained service personnel. Do not use mechanical devices to defrost refrigerator. Do not puncture refrigerant tubing.

Disposal



EU regulations require refrigeration product to be disposed of by specialist companies who remove or recycle all gasses, metal and plastic components. Consult your local waste collection authority regarding disposal of your appliance. Local authorities are not obliged to dispose of commercial refrigeration equipment but may be able to offer advice on how to dispose of the equipment locally. All packaging materials should be disposed of in an environmentally friendly way. The cardboard may be used as scrap paper. The protective foil and the foam cushions are

CFC-free.

Do not allow children to play with the packaging and destroy plastic bags safely.



Environmental protection

Discarded electric appliances are recyclable and should not be discarded in the domestic waste! Please actively support us in conserving resources and protecting the environment by returning this appliance to the collection centers (if available).

Compliance

Parts have undergone strict product testing in order to comply with regulatory standards and specification set by international, independent, and federal authorities.

Products have been approved to carry the following symbol:

